

NEXTEP Transparent LAN

Description of the NEXTEP Transparent LAN (TLAN) termination supplied to Channel Partners of NEXTEP Broadband.

*NEXTEP Broadband Product Information
November 2002*

NEXTEP Transparent LAN

INTRODUCTION

The philosophy adopted by NEXTEP Broadband is to provide an access network and allow Channel Partners to define their product and operational requirements without the network being a limiting factor.

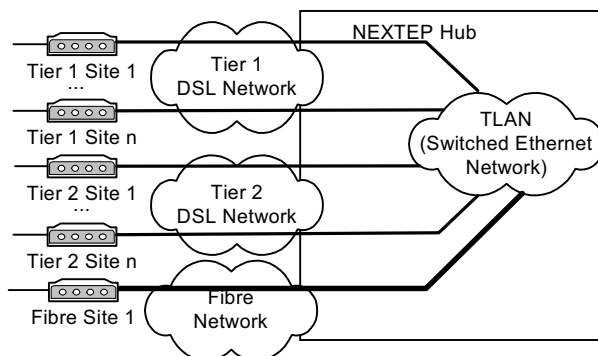
The NEXTEP TLAN termination service provides protocol/application independence, allowing seamless integration of all NEXTEP's Broadband access into a single private network.

This document gives the description and CPE requirements for the NEXTEP TLAN Termination service

TLAN TERMINATION SERVICE DESCRIPTION

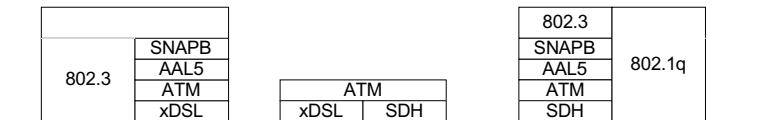
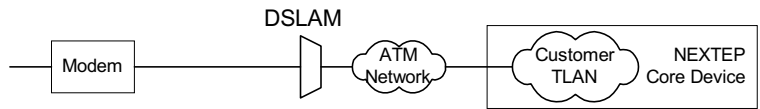
A NEXTEP TLAN is a Wide Area Network(WAN) formed when end user NEXTEP access services are connected to an Ethernet based logical network within the NEXTEP core network. The NEXTEP TLAN allows seamless integration of Tier 1, Tier 2 and fibre Ethernet services into a secure private network.

The TLAN termination service is the formation of the VLAN where IEEE 802.3 Ethernet frames from end users are terminated on a secure IEEE 802.1q VLAN formed within the NEXTEP core Network.



Tier 1 DSL Services

The NEXTEP TLAN termination services can be provided using either ADSL or SHDSL access. The channel partner nominates the bandwidth requirements for service PVC and TLAN termination.



CPE

Any modem approved for use on the NEXTEP network and supports RFC 1483 Bridge encapsulation mode can be used for the TLAN termination service.

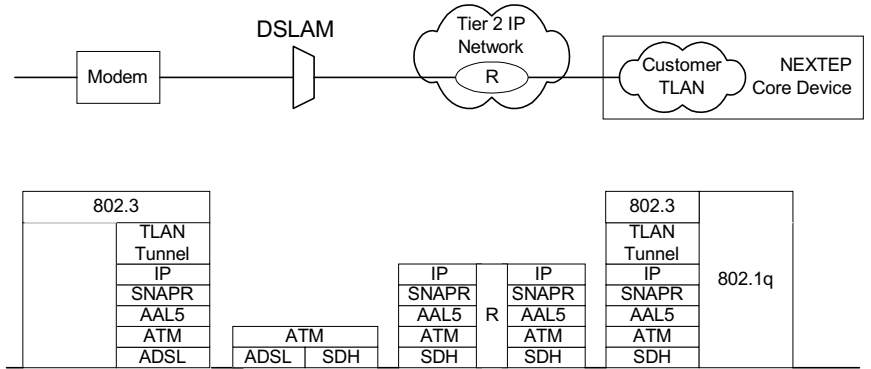
Approved modems are listed at:

<http://www.nextep.com.au/equipment.htm>



Tier 2 DSL Services

The NEXTEP TLAN termination services can be provided using either ADSL Tier 2 access. The channel partner nominates the bandwidth requirements for service and TLAN termination.



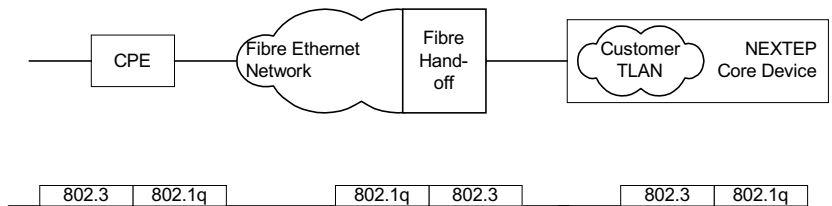
CPE

This service requires the use of the **D-Link DSL-500** modem with customised NEXTEP TLAN firmware. The firmware is available from NEXTEP and can be loaded onto standard D-Link modems. Instructions on installation and configuration can be obtained from through arrangements with Account Managers.

The modem will be configured as an Ethernet bridge and no routing functions of the modem will be available to the end user.

Fibre Ethernet Services

The NEXTEP TLAN termination services can be provided using fibre based Ethernet Services. The channel partner nominates the bandwidth requirements for service and TLAN termination.



CPE

The CPE is supplied as a part of the service and will vary depending on the customer installation. The customer interface will have a physical 10BaseT 10/100Mbps IEEE 802.3 Ethernet port.



"NEXTEP Transparent LAN Product ", 221 -003-BS-218-2-0
Written by J.Bristow for NEXTEP Broadband

Copyright © November 2002 NEXTEP Broadband
and NEC Australia Pty Ltd
All rights reserved. Printed in Australia

This document is printed for informational purposes only and
the information herein is subject to change without notice.

This document is written for installations where system
integration and supply of all items have been by NEXTEP
Broadband. NEXTEP Broadband is not responsible for
overall system performance, thermal characteristics, EMC
and safety issues where the customer uses third party
equipment and the system integration has been completed
by parties other than NEXTEP Broadband.



649-655 Springvale Road
Mulgrave, Victoria 3170 Australia

Phone: (03) 9271 4240
Fax: (03) 9271 4249